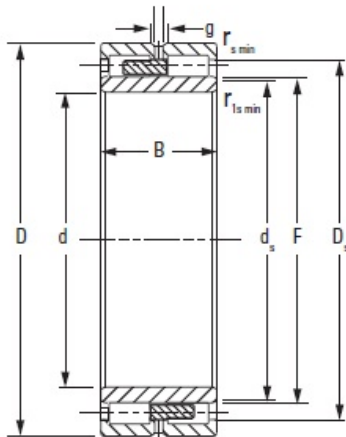




American Precision Parts Co., Ltd.



NNU49/900MAW33 Timken Cylindrical Roller Bearing

Bearing No. NNU49/900MAW33

Bore d	900.000 mm
O.D. D	1180.000 mm
Width B	280.000 mm
DUR/DOR F/E	986.000 mm
Static Load Rating C_0	20650 kN
Dynamic Load Rating C_1^1	7790 kN
Geometry Factor C_g^2	0.4940
Thermal Speed Ratings - Oil	160 rpm
Thermal Speed Ratings - Grease	150 rpm
Weight	1850.000 lb
Chamfer r_{smin}	6.00 mm
Chamfer r_{1smin}^3	6.0 mm
Backing Shaft Diameter d_s	968.8 mm
Backing Housing Diameter D_s	1106.0 mm
Lubrication Groove g	25.3 mm
Lubrication Hole Diameter h	13.0 mm
Number of Lubrication Holes	16
Dimension S^4	11.90 mm

NNU49/900MAW33 Bearing 2D drawings and 3D CAD models