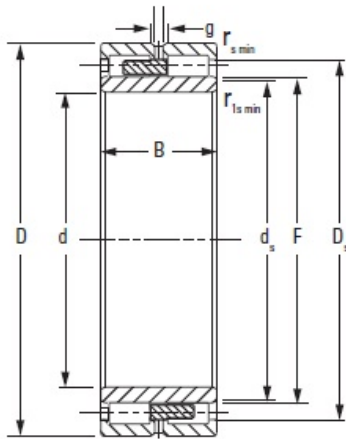




# American Precision Parts Co., Ltd.



## NNU49/800MAW33 Timken Cylindrical Roller Bearing

Bearing No. NNU49/800MAW33

Bore d	800.000 mm
O.D. D	1060.000 mm
Width B	258.000 mm
DUR/DOR F/E	880.000 mm
Static Load Rating $C_0$	17390 kN
Dynamic Load Rating $C_1^1$	7070 kN
Geometry Factor $C_g^2$	0.4500
Thermal Speed Ratings - Oil	190 rpm
Thermal Speed Ratings - Grease	180 rpm
Weight	1318.000 lb
Chamfer $r_{smin}$	6.00 mm
Chamfer $r_{1smin}^3$	6.0 mm
Backing Shaft Diameter $d_s$	865.4 mm
Backing Housing Diameter $D_s$	1000.0 mm
Lubrication Groove g	19.3 mm
Lubrication Hole Diameter h	9.5 mm
Number of Lubrication Holes	16
Dimension $S^4$	10.50 mm

NNU49/800MAW33 Bearing 2D drawings and 3D CAD models